

Cranked Sheets

Pick No. (Office use)



DUGGAN PROFILES & STEEL SERVICE CENTRE Ltd

Tel: 056 772 2485 Fax: 056 776 3411 www.steel.ie

Order No.

Date reqd.

Reference

Customer contact

Page of

Site contact

Deliver to

Material/Colour (1 colour only per page)

Tick (✓) Profarm

Tick (✓) 1000/32

Instructions for Detailer

- 1) Select the required Colour, thickness and profile type.
- 2) Fill in the dimensions, angles and radius on the relevant profile along with the quantity of each hand required and the overall sheet length.

Handing of sheets

The required direction of lay must be specified when ordering as cranked sheets with uneven leg lengths can be laid in one direction only. Select from the options shown below.

Tick (✓) Thickness 0.5 0.55 0.7

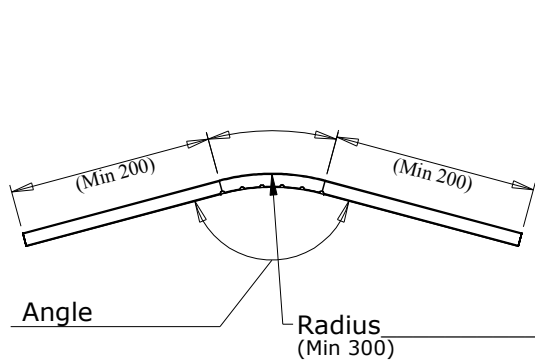
Proclad

800/32*

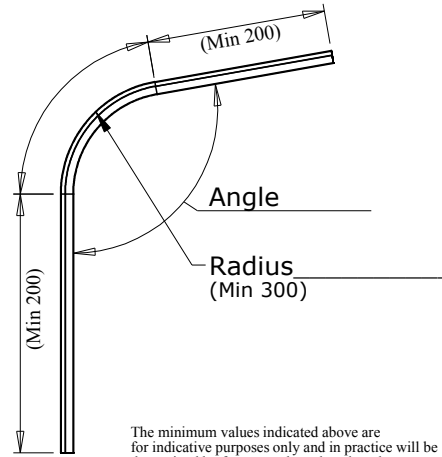
Procolor

*800/32 profile available in Profarm only

CRANKED RIDGE (Fill in details below)

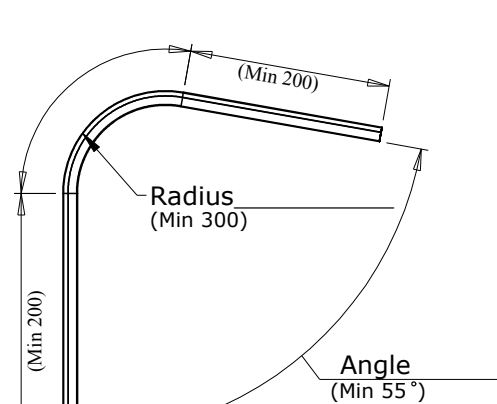


CRANKED EAVES (Fill in details below)

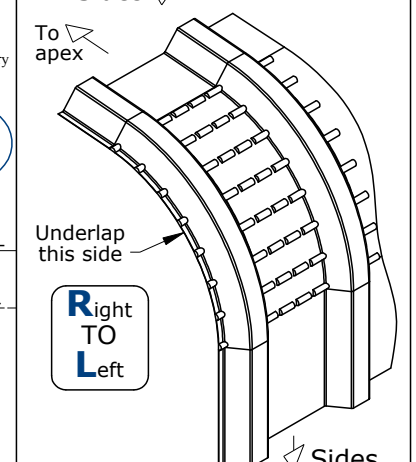
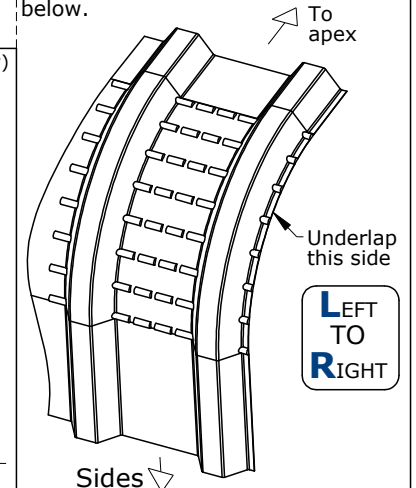


The minimum values indicated above are for indicative purposes only and in practice will be determined by factors such as sheet length, geometry and material thickness. Check with us before detailing/ordering for job specific information

CRANKED MONORIDGE (Fill in details below)



The minimum values indicated above are for indicative purposes only and in practice will be determined by factors such as sheet length, geometry and material thickness. Check with us before detailing/ordering for job specific information



Custom Sizes (Enter details below) Line No. (Office use) _____
Qty (L TO R) _____ Qty (R TO L) _____

Custom Sizes (Enter details below) Line No. (Office use) _____
Qty (L TO R) _____ Qty (R TO L) _____

Custom Sizes (Enter details below) Line No. (Office use) _____
Qty (L TO R) _____ Qty (R TO L) _____

Sheet Length (Office use) _____
Crimps _____ @ _____ °
(Qty) (Degrees)
Spacings _____ @ _____ mm
(Qty) (Spacing)

Sheet Length (Office use) _____
Crimps _____ @ _____ °
(Qty) (Degrees)
Spacings _____ @ _____ mm
(Qty) (Spacing)

Sheet Length (Office use) _____
Crimps _____ @ _____ °
(Qty) (Degrees)
Spacings _____ @ _____ mm
(Qty) (Spacing)